




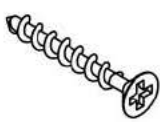






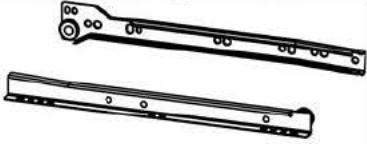
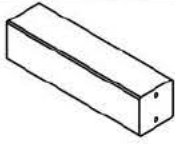

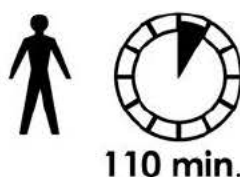
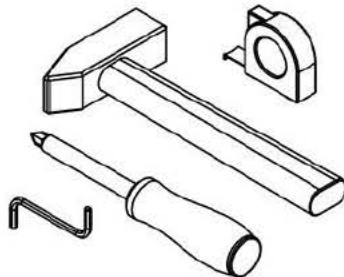
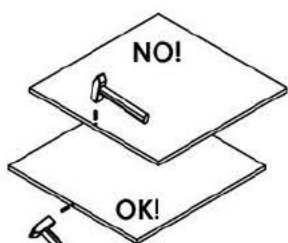
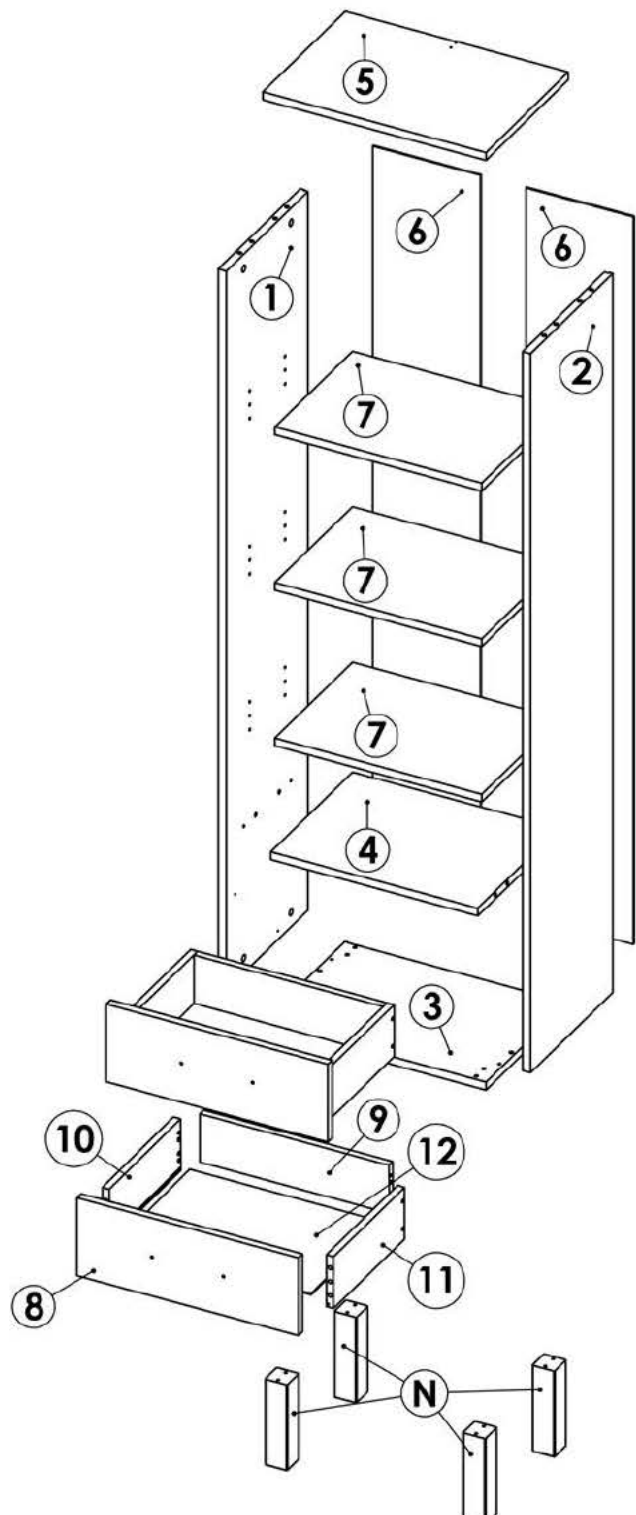
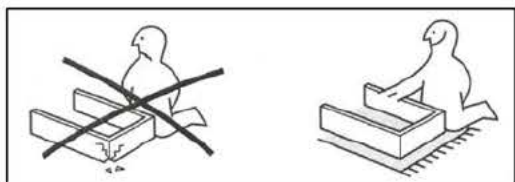


BOOKCASE FLORIS BLACK

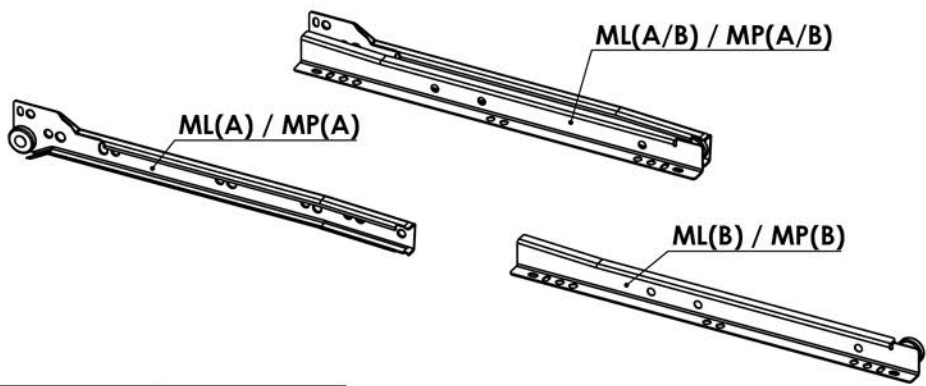
ART CODE:131 19 719

30.09.2022

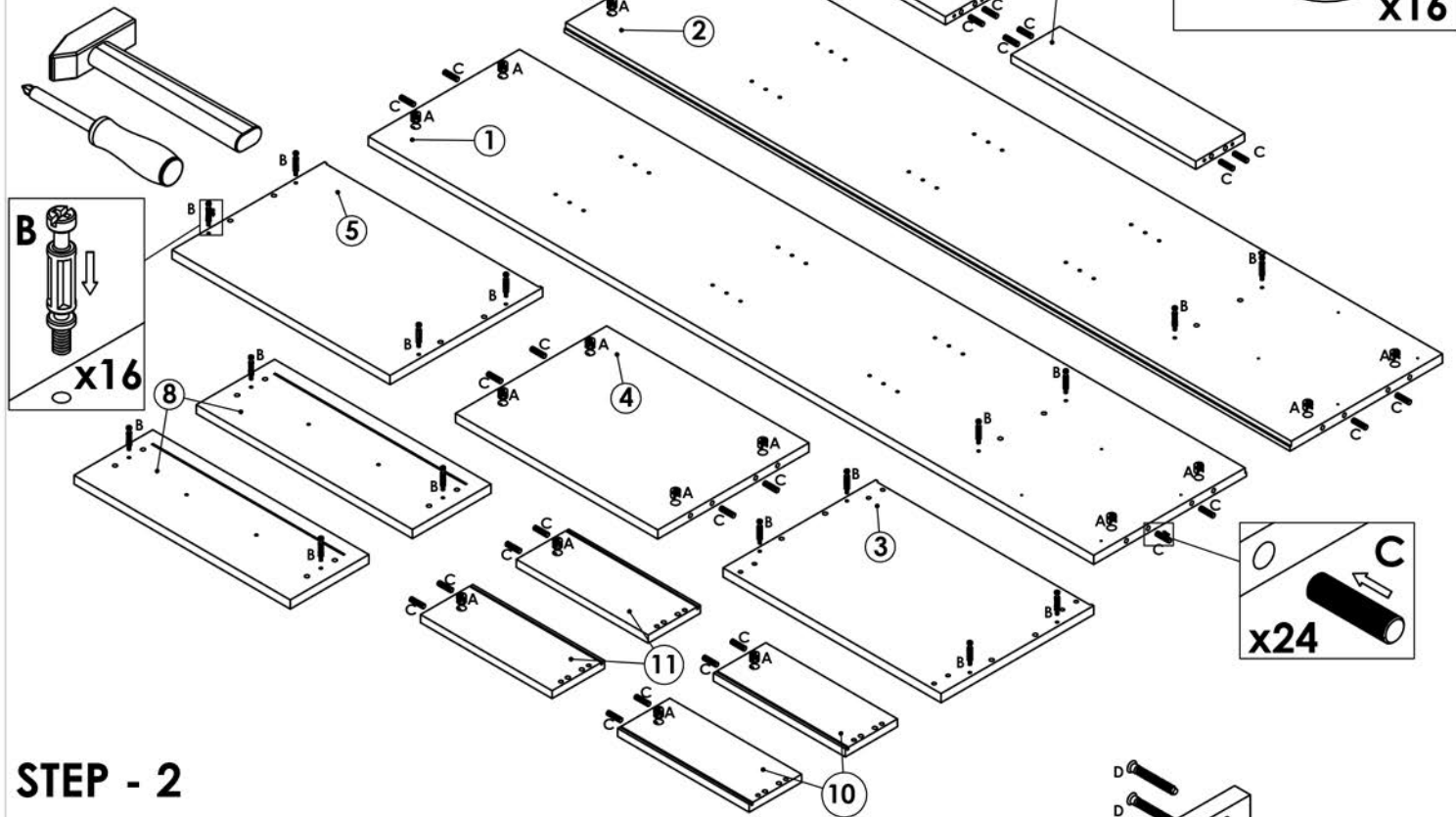
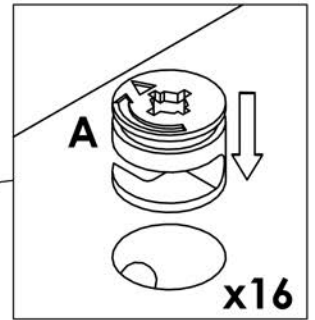
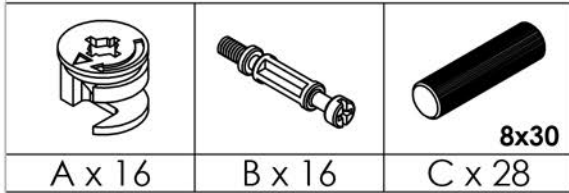
							
A x 16	B x 16	C x 28	D x 16	E x 14	F x 1	G x 36	H x 8
							
I x 2	J x 12	K x 1	L x 1	ML(A/B)/MP(A/B) x 2/2		N x 4	
							
O x 1							



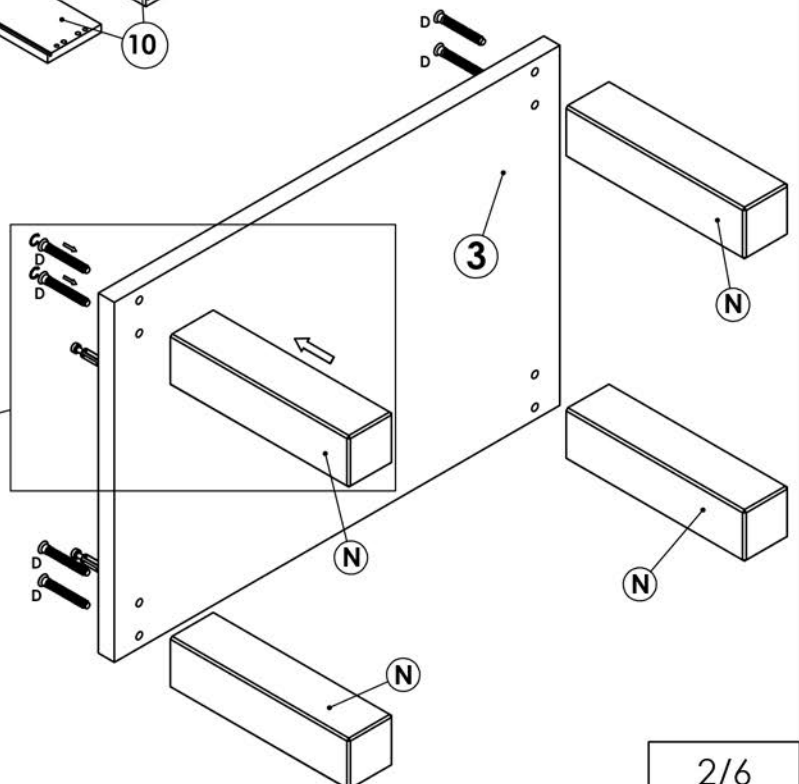
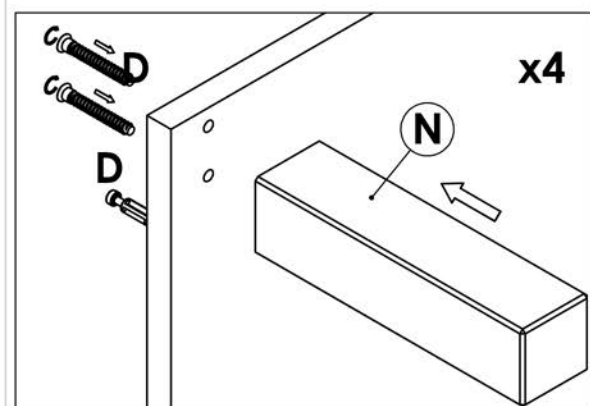
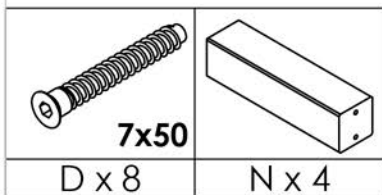
"BOPITA"
 LION INTERNATIONAL B.V.
 ENERGIEWEG 1
 6662 NS ELST GLD
 NEDERLAND
 www.bopita.com



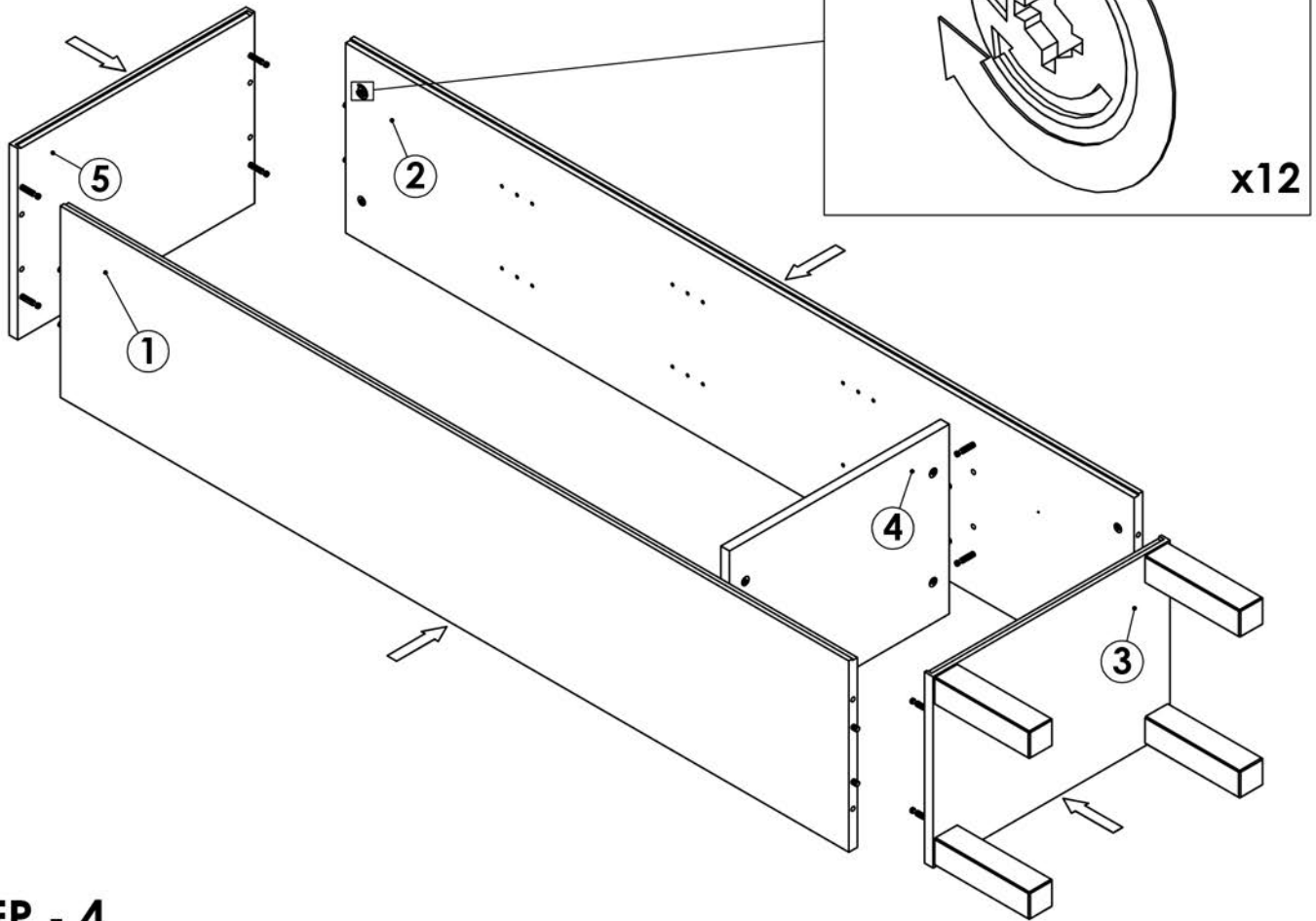
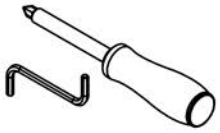
STEP - 1



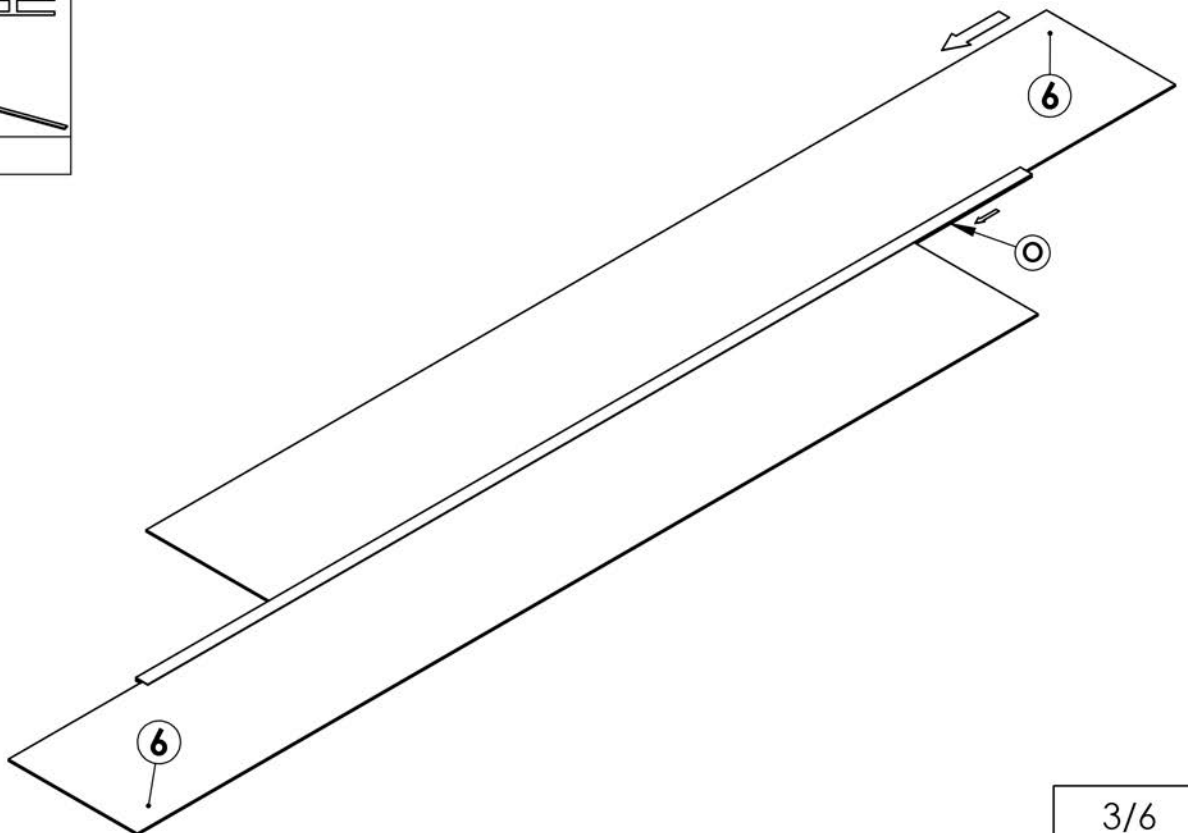
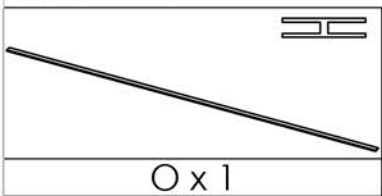
STEP - 2



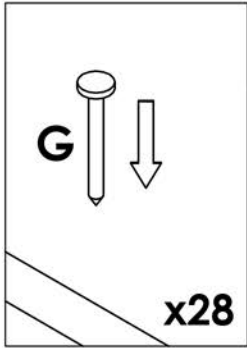
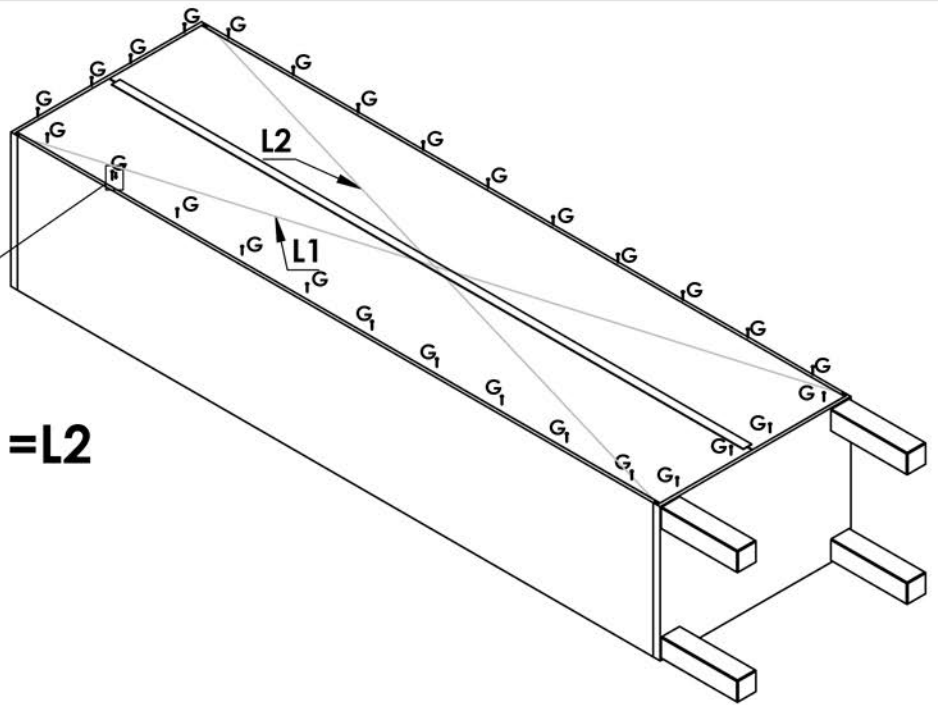
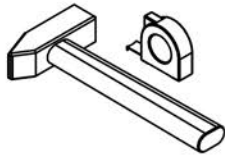
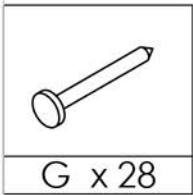
STEP - 3



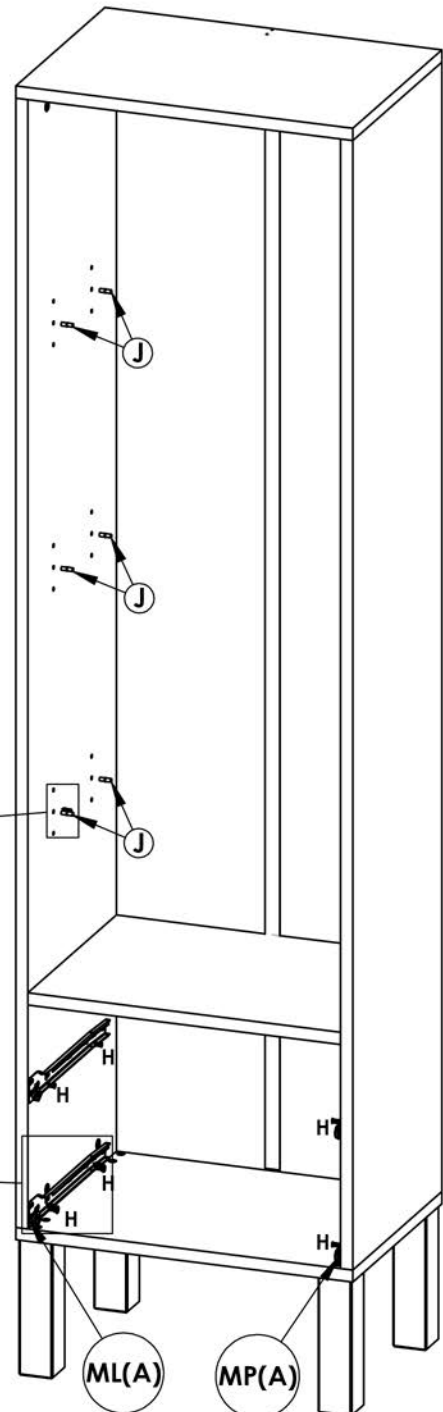
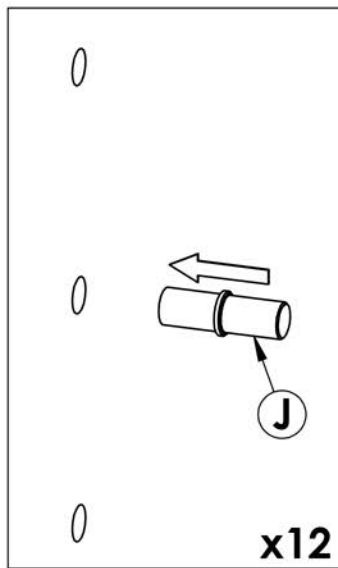
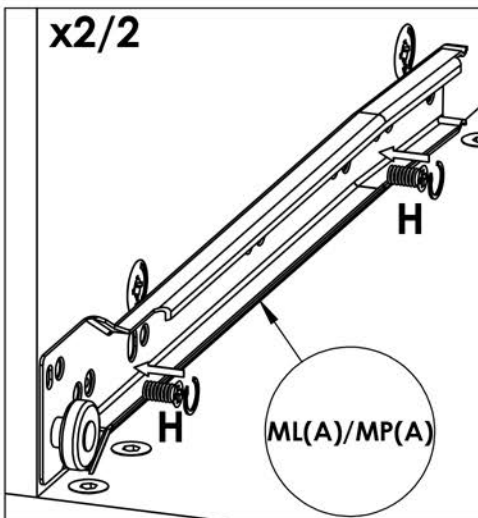
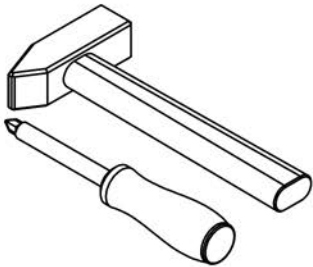
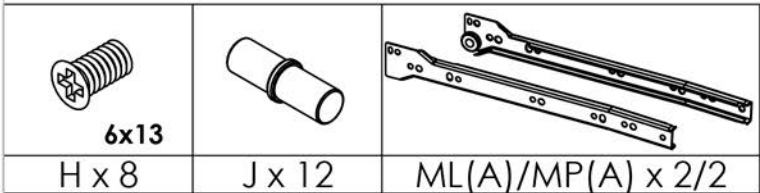
STEP - 4




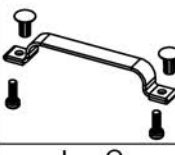
STEP - 5

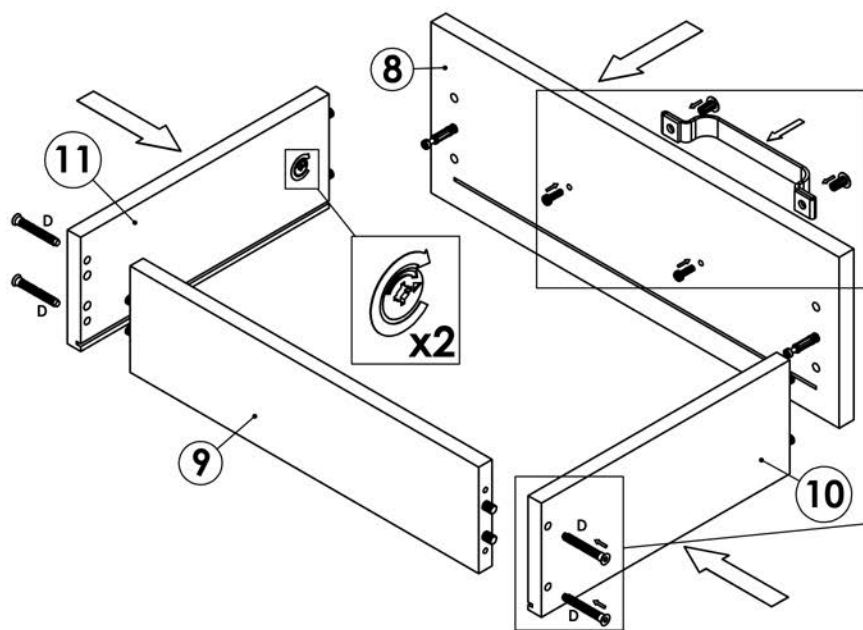
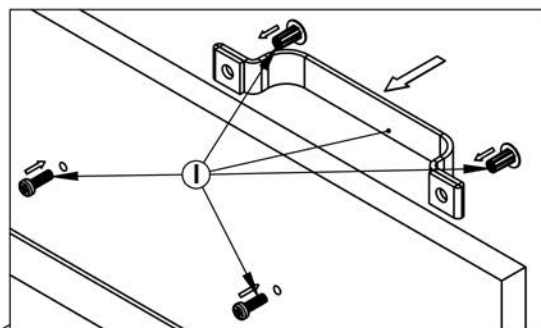
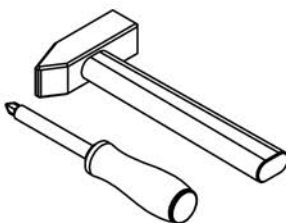


STEP - 6

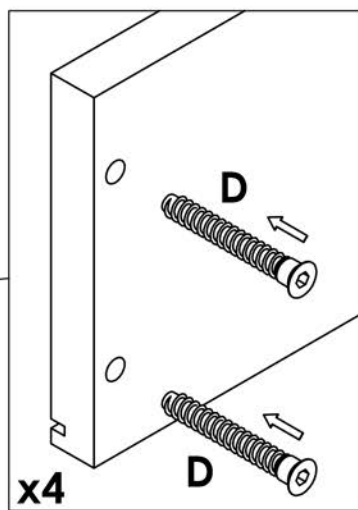


STEP - 7

	
D x 8	L x 2


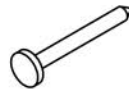



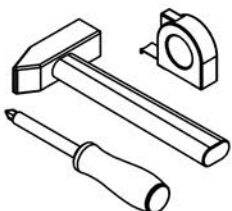
x2



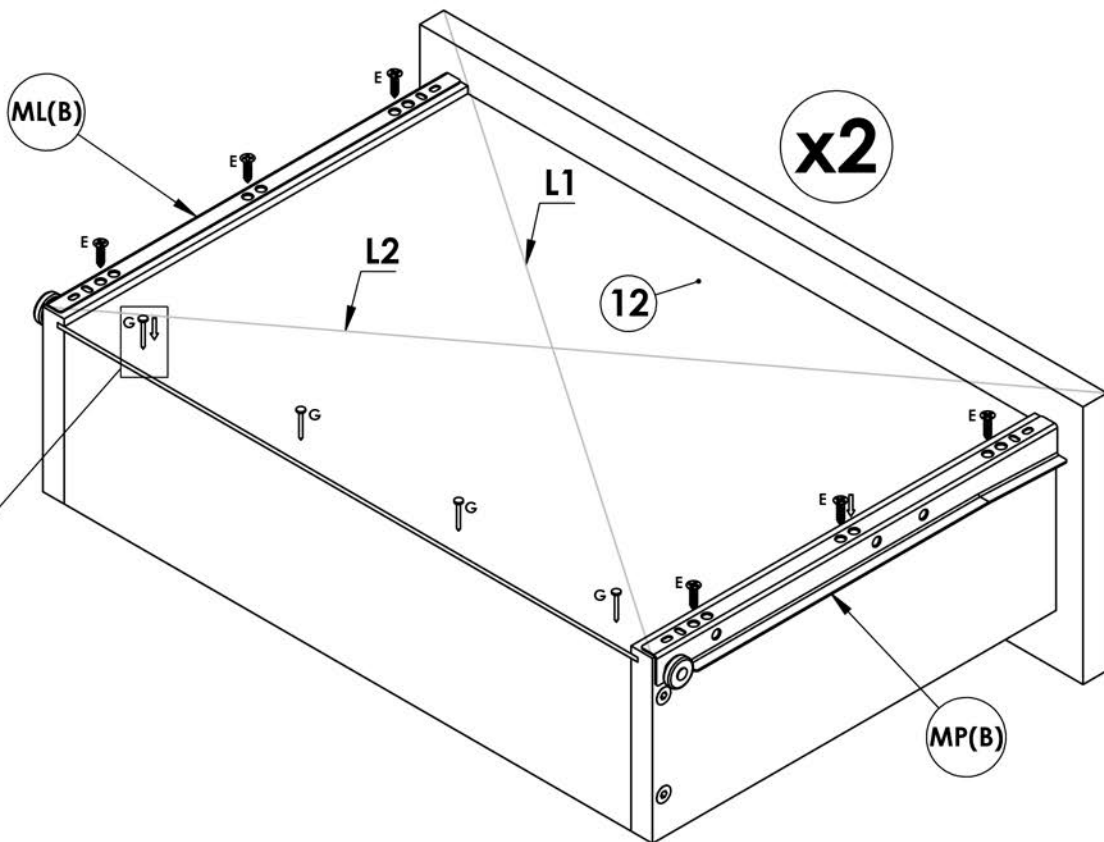
x4

STEP - 8

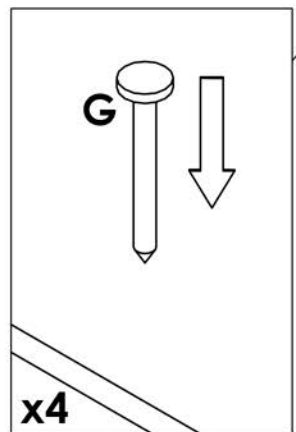
		
E x 12	G x 8	ML(B)/MP(B) x 2/2



L1=L2







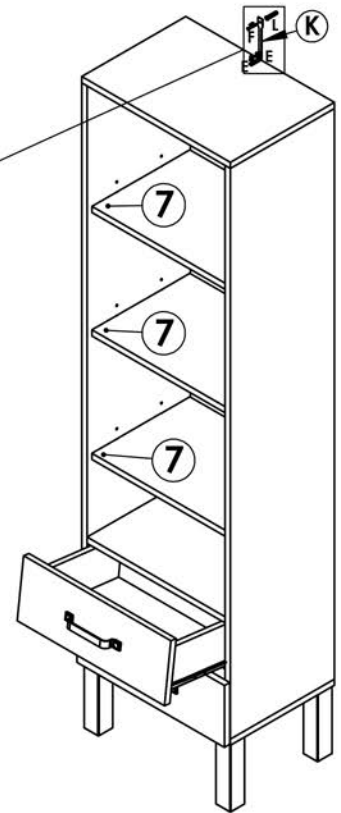
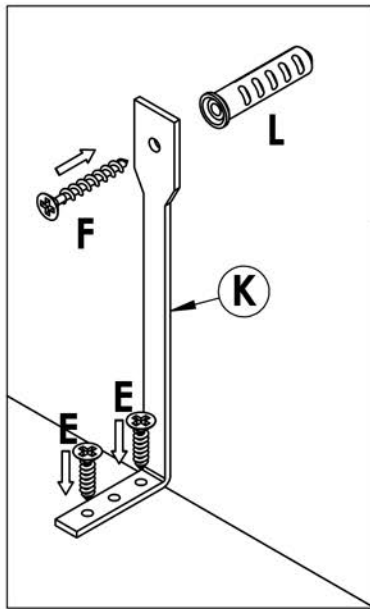
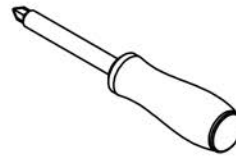
x2



x4

STEP - 9

 3,5x13 E x 2	 F x 1	 K x 1	 L x 1
---	--	--	--



QC-CODE

- (UK) for service requests
- (NL) voor service vragen
- (FR) pour les demandes de service
- (DE) für Service Anfragen
- (ES) para consultas de servicio
- (IT) per richieste di assistenza

QC-CODE

